

## Instructions

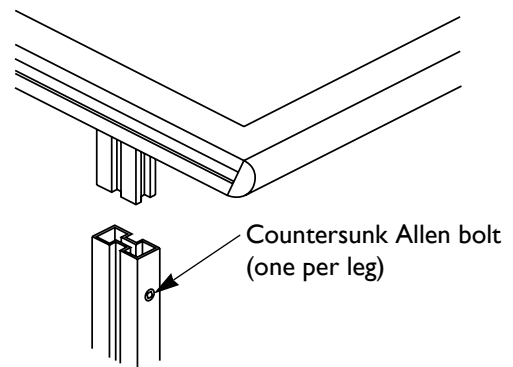
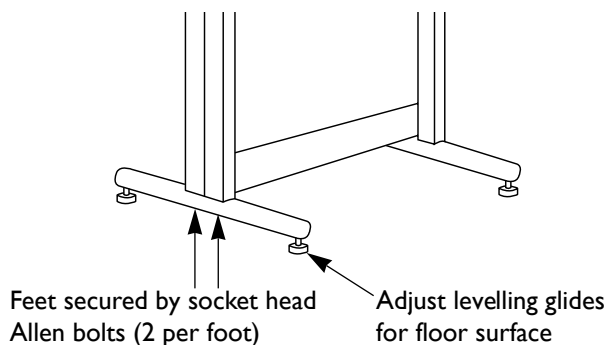
### Identify the parts listed.

1. Attach the two feet to the Leg Set/Dress Panel using the four socket head bolts and Allen key.
2. Up-end onto feet. Locate Console top blocks into openings at top of leg set, and insert.
3. Secure the Console Top into the Leg Set/Dress Panel with the two countersunk bolts using the Allen key. Check for alignment and rigidity.
4. Adjust the levelling glides on the feet to ensure stability on floor surface.
5. Connect the Desk Light to BNC connector on Console top.
6. Connect the 12VDC 2.5 mm DC jack from the power supply into Lectrum<sup>®</sup>. Connect the mains lead into the power supply and 240V AC power outlet. (Australia only - the mains lead is not supplied for export). Switch on power and test for operation.

## Components

### This product consists of:

- Feet x 2
- Leg Set with Dress Panel x 1
- Top Console x 1
- Socket head bolts x 4
- 5 mm Allen key x 1
- Counter sunk Allen bolts x 2
- 4 mm Allen key x 1
- Reading light x 1\*
- Power supply x 1\*
- Mains power lead 2 mtr x 1\*
- (Not supplied for export)
- Spare lamp (globe) plus fuse (L101 only) \* Not included for L20



Manufactured & Distributed By:



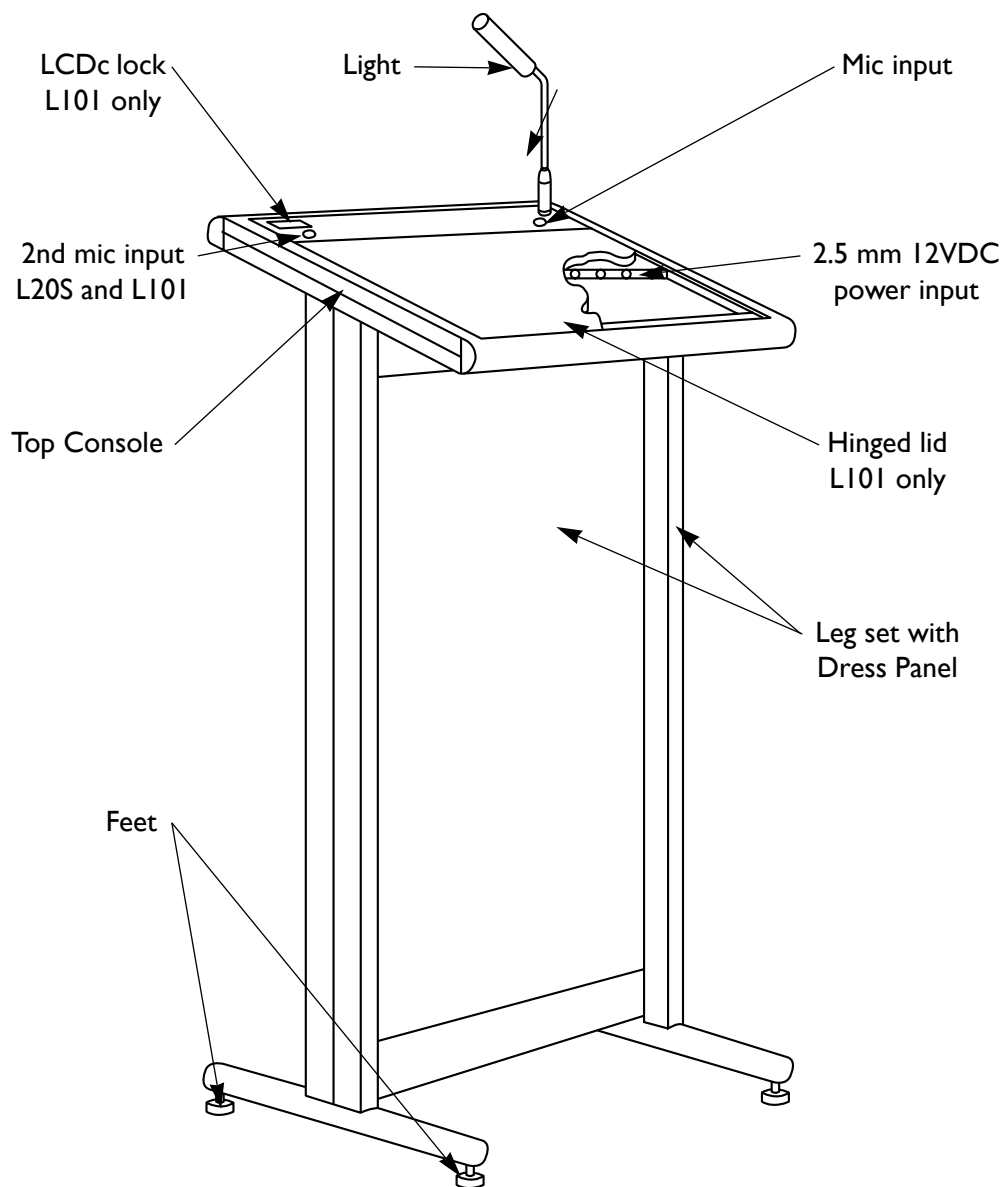
**WILSON GILKES**  
MANUFACTURING IDEAS

P.O. Box 63  
Moorebank NSW 1875  
337 - 349 Newbridge Road  
Moorebank NSW 2170

Telephone: (02) 9914 0900  
Fax: (02) 9914 0901  
Email: sales@gilkon.com.au

[www.lectrum.com.au](http://www.lectrum.com.au)

Instructions



Manufactured & Distributed By:



**WILSON GILKES**  
MANUFACTURING IDEAS

P.O. Box 63  
Moorebank NSW 1875  
337 - 349 Newbridge Road  
Moorebank NSW 2170

Telephone: (02) 9914 0900  
Fax: (02) 9914 0901  
Email: sales@gilkon.com.au

[www.lectrum.com.au](http://www.lectrum.com.au)